
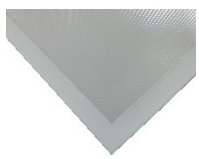

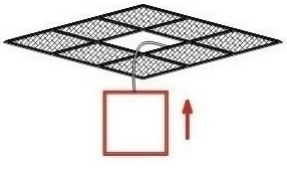
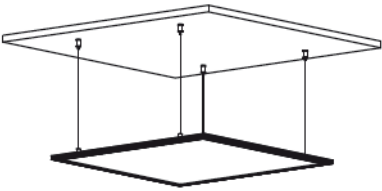
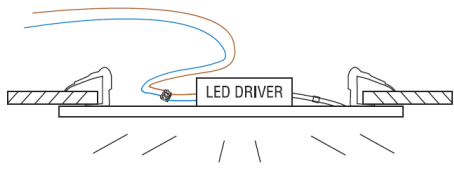
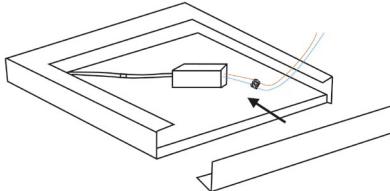


LED FIXTURES BACKLIT PANEL 60x60cm ANTIGLARE UGR<19



<div style="text-align: center;">  <p>side = 595x595 ± 1mm thickness = 30 ± 1mm</p>  <p>CE RoHS</p>  </div>	MOUNTING OPTIONS	
	False-ceiling frame	
	Suspension <u>optional kit</u> <u>FLLKITSUSP</u>	
	Cut-out hole (575 x 575 mm) <u>optional kit</u> <u>FLLKITHOLE</u>	
Box for wall/ceiling <u>optional kit</u> <u>FLLKITWALL/B</u> (thickness 65±5mm)		

IP44 LED Panel, integrating an array of high-power LEDs geared by an external constant current LED driver. Chassis in Aluminium, white painted finish for optimal heat-dissipation. Frontal diffuser in Polystyrene GPPS 95% light transmittance rate with HONEY COMB finish for antiglare - max visual comfort, UGR controlled. Mounting in false-ceiling frames 60x60cm. Other optional mounting for installation (by ordering the dedicated accessory kit):

- Suspension (code FLLKITSUSP): Brackets and suspending ropes in steel with clamps and fasteners, with adjustable buttons to fine-tune the horizontal positioning
- Downlighter in cut-out square hole 575 x 575mm (code FLLKITHOLE): Springs for false-ceiling fixation
- Box for wall/ceiling (code FLLKITWALL/B): outer dimension after mounting = L 600 x W 600 x H 65mm
- Anti-falling rope in steel (code 10 265): L = 1m, Ø1.5mm with screws, clamps and fasteners

CODE	P (W)	PF	Φ _{tot} (lm)	T _c (K)	R _a	⚡	Note
80 379	40	≥ 0.90	3800	4000	> 90	90°	Single box (LED driver included)
80 384	40	≥ 0.90	3800	4000	> 90	90°	Including anti-falling rope Single box (LED driver included)

LED DRIVER AS SPARE PART

Code: 20 020	PRI 220-240V 50/60Hz 0.26A max	SEC 28-40VDC 1000mA ± 5%	T _a = 50°C T _c = 90°C	L x W x H (mm) 109 x 40 x 28		SELV	
------------------------	-----------------------------------	-----------------------------	--	---------------------------------	---	------	---

Reference standards: EN 61347-1; EN 61347-2-13; EN 62384; EN 62493; EN 55015; EN61000-3-2; EN 61000-3-3; EN 61547
 EU Directives: 2014/35; 2014/30; 2011/65; 2012/19

OPTIONAL ACCESSORY KIT

Code	Application	Content
FLLKITSUSP Id. 10 098	Suspension mounting	Brackets and ropes in steel with clamps and fasteners, adjustable buttons to fine-tune the horizontal positioning
FLLKITHOLE Id. 10 100	Mounting in the false ceiling, as a recessed downlighter	Springs for mounting in a 575x575mm cut-out hole
FLLKITWALL/B Id. 10 263	Wall/ceiling mounting as a box	Metallic box to transform the panel in a wall-mounted fixture. Outer dimension after mounting L 600 x W 600 x H 65±5mm
10 265	Antifalling rope	Anti-falling rope in steel, L = 1m, Ø1.5mm, with screws, clamps and fasteners for its mounting on the back of the panel



CODE	Characteristics of the internal LIGHT SOURCE								
	Voltage	Current (mA)	P _{on} (W)	Φ _{tot} (lm)	Φ _{use} (lm)	DIR / NOT DIR	R _a	T _c (K)	En.Class
LSxBL40W4000K	35VDC	1000	35.1	4692	4692	NOT DIR	93	4083	E

The internal LS is removable not replaceable to avoid any risk of mechanical damage and infringement of the IP protection degree in case of replacement by end users or installers. The CG is replaceable also by the end user.		
---	--	--

Containing product with internal Light Source and independent Control Gear	
Operating electric conditions	220-240V 50/60Hz
Recommended ambient temperature	
Insulating class	
Not Adjustable	
If used as recessed fixture, the luminaire shall not, under any circumstances, be covered with insulating matting or similar material	
Useful Lifetime	L70 B50 = 54.000h (T _a =25°C)
Protection degree (as recessed fixture)	IP44
Weight	1.25kg (LED driver included)
Colour consistency	MacAdam ellipses step ≤ 3
Mercury and dangerous substances	
UV and IR radiation	
LED system classified EXEMPT (RISK GROUP 0) in application of the EN 62471	

Reference Standards: EN60598-1; EN62471; EN55015; EN61000-3-2; EN61000-3-3; EN61547; EN62493
 European Directives: 2014/35; 2014/30; 2009/125 (Reg.no.2019/2020); 2012/27 (Reg.no.2019/2015); 2011/65; 2012/19

All parts of this document are ownership of DLU. All rights reserved. This document and the included information are provided without any responsibility deriving from mistakes or omissions. No part of this document can be cut, reproduced or used without written authorization. DLU maintain the right to change the included data without notice due to improvements of the products.

